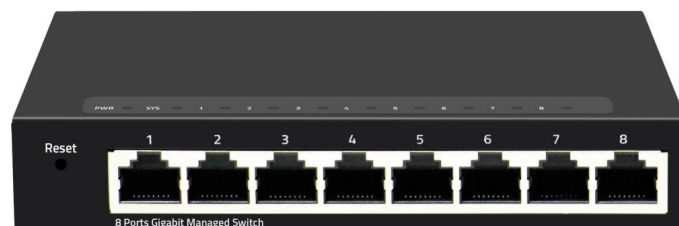


8 Port Gigabit Web Managed Ethernet Switch



www.hrgdkj.com



The 8 Port Gigabit Web Managed Ethernet Switch adopts high-quality and high-speed network ICs. The product has a fanless and silent design, which completely solves the problem of high noise when small switches are deployed in an office environment. This switch has 8 Gigabit RJ45 ports, which can provide seamless connection for 10/100/1000M Ethernet, supports WEB management, and is easy to manage and maintain. This product can be widely used in security network video surveillance, hotels, campuses, and small and medium-sized enterprises. Network engineering and other occasions.

Main Features

- 8*Gigabit RJ45 port
- Comply with IEEE802.3、IEEE802.3u、IEEE802.3ab standard
- Ethernet port supports 10/100/1000M adaptive
- Support port auto flip (Auto MDI/MDIX)
- Panel indicator lights monitor working status and help failure analysis
- Flow control mode, full duplex adopts IEEE802.3x standard, half duplex adopts Backpressure standard
- Support QoS data priority
- Support cable detection, loop protection
- Port ESD touch 6KV, air 8KV

Application Environment

Metro Optical Broadband Network:

Data network operators such as telecommunications, cable TV, and network system integration,etc.

Broadband private network:

Suitable for financial, government, oil, railway, electric power, public security, transportation, education and other industries

Multimedia transmission:

Integrated transmission of images, voice and data, suitable for remote teaching, conference TV, videophone and other applications

Real-time monitoring:

Simultaneous transmission of real-time control signals, images and data

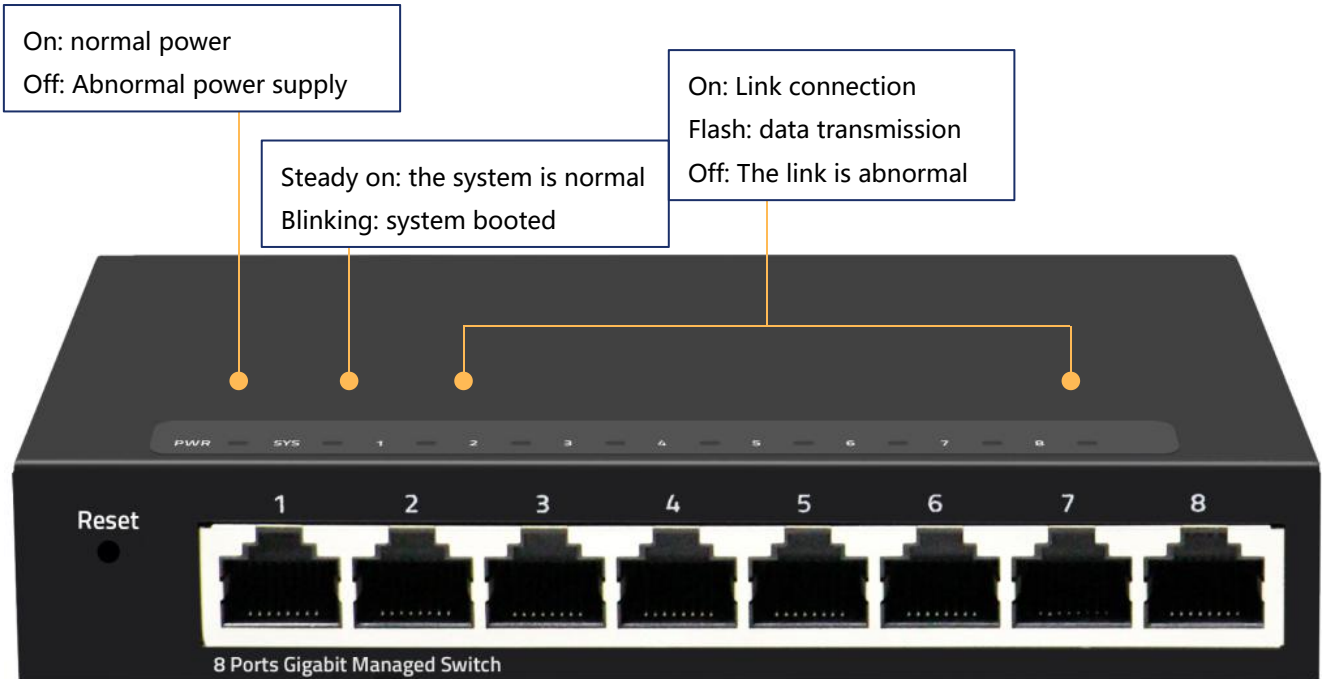
Specifications	
I/O Interface	
Power	DC 5V
Ethernet	8*Gigabit RJ45 Ethernet port
Performance	
Bandplane bandwidth	16Gbps
Packet forwarding	11.9Mpps
Packet Buffer	12Kbytes
MAC Address	8K
Jumbo Frame	9216 bytes
Transfer Mode	Store and forward
MTBF	100000 hours
Standard	
Network protocol	IEEE802.3 (10Base-T) IEEE802.3u (100Base-TX) IEEE802.3ab (1000Base-TX) IEEE802.3x (Flow control)
Industry Standard	EMI: FCC Part 15 CISPR (EN55032) class A EMS: EN61000-4-2 (ESD)、 EN61000-4-4 (EFT) EN61000-4-5(Surge)
Network Medium	10Base-T : Cat3、4、5 or above UTP/STP(≤100m) 100Base-TX : Cat5 or above UTP/STP(≤100m) 1000Base-TX : Cat5 or above UTP/STP(≤100m)
Certificate	
Safe certificate	CE、FCC、RoHS

Environment	
Working Environment	Working Temperature: : -10~50°C Storage Temperature: -40~70°C Working Humidity : 10%~90%, non-condensing Storage Temperature: 5%~90%, non-condensing Working Height: Maximum 10,000 feet Storage Height: : Maximum 10,000 feet
Physical specifications	
Structure Size	Product Size: 137*77*25mm Package Size: 175*120*63mm Product Net-Weight: 0.3KG Product Gross-Weight: 0.5KG
Packing Info	Carton size: 505*320*400mm Packing Qty: 40 units Packing weight: 21KG
Power Voltage	Adapter input voltage : AC 100-240 V Switch input voltage: 5V1A
Package List	1 switch, 1 adapter, 1 manual, 1 certificate
Indication	
LED Indicators	PWR (Power indicator) , SYS (System indicator) , 1-8 (Link & Data)
Restart switch	Short press to restart Long press 5S to restore factory settings

Software function	
System	System Information
	IP Address Setting
	User Account Setting
Port Setting	Enable/disable ports
	Configure the speed, duplex and MTU
	Flow control
	Check the port information

VLAN	Static VLAN
	VLAN Setting
QOS	Priority selection
	DSCP remapping
	Priority to queue
	Port-based Priority
	Queue Weight
Configuration	IGMP Enable Setting
	Trunk Group Setting
	Loop Prevention Setting
	Port Mirroring Setting
	Port Isolation Setting
	Bandwidth Control Setting
	Jumbo Frame Setting
	MAC Constraint Action Setting
	Green Ethernet Setting
	EEE Setting
	SNMP Setting
Security	MAC Table
	MAC Search
	Static MAC
	Storm Control Setting
Monitoring	Port Statistics
	Cable Diagnostic
Tools	Firmware Upgrade
	Configuration Backup
	Reset
	Save
	Reboot
Ordering Info	
ZX-SWGW2080	8 Port Gigabit Web Managed Ethernet Switch

Panel description



Restart switch

8*Gigabit Ethernet port

Applications

