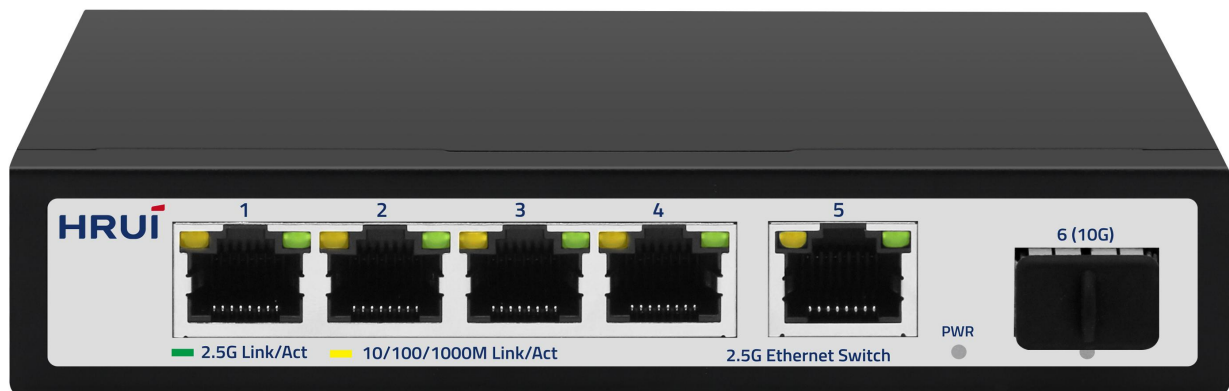


5-port 2.5G+1-port 10G SFP+ Ethernet Switch

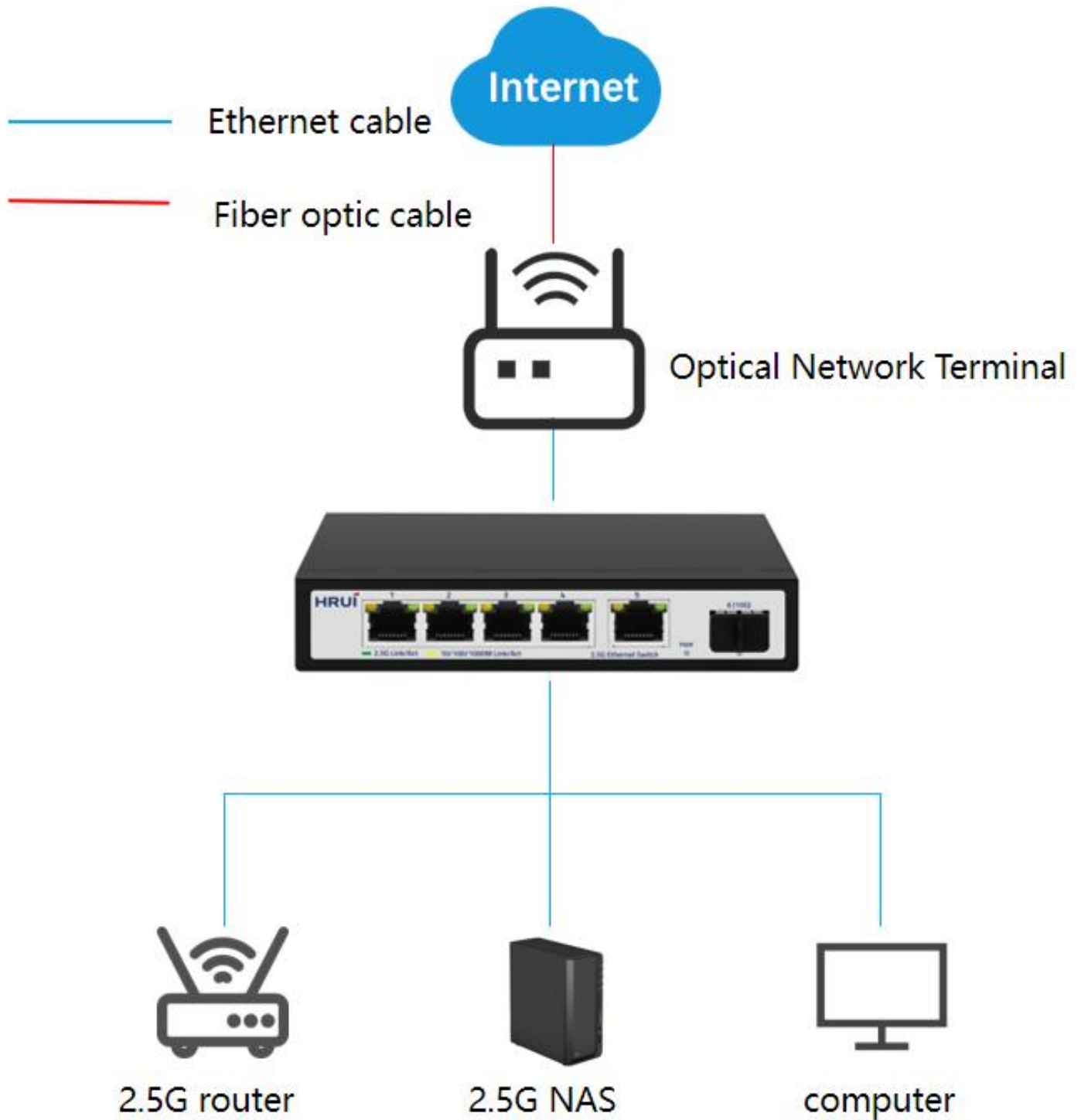


Highlights

- 5 *100/1000/2500Mbps RJ45 ports+1 *10G SFP+ port
- Complies with IEEE 802.3, IEEE 802.3u, IEEE 802.3ab, IEEE 802.3ae, IEEE 802.3x standards
- RJ45 port supports 100/1000/2500Mbps adaptive
- Supports automatic port flipping (Auto MDI/MDIX)
- The panel indicator lights will monitor the working status and assist in fault analysis
- Flow control method, IEEE802.3x standard for full duplex and Backpressure standard for half duplex

Specifications

Product Application



Specifications

Hardware Features & Performance		
Model		HR-SWTG015AS
General	Interface	5 * 2.5G RJ45 port 1 * 10G SFP+ port
	Port Standard	IEEE802.3 (Ethernet) IEEE802.3u (Fast Ethernet) IEEE802.3ab (Gigabit Ethernet) IEEE 802.3bz (5G Ethernet) IEEE 802.3z (Gigabit Ethernet) IEEE 802.3ae (10 Gigabit Ethernet) IEEE802.3x (Flow Control)
Performance	Switching Capacity	45Gbps
	Packet Forwarding Rate	33.48Mpps
	Packet Buffer	8Mbit
	MAC Address Table	4K
	Jumbo Frame	12K
	Catstick	Nokia G-010S-A; Alcatel G-010S-P; Huawei MA5671A
	Transmission Method	Store and Forward
Environment	Surge Protection	Surge Protection: Common mode 6KV, differential mode 2KV Electrostatic ESD: Air 8KV, Contact 6KV
	Operating Temperature	0~40°C
	Storage Temperature	-40°C to 70°C
	Operation Humidity	10%~90%, non condensing
	Storage Humidity	5%~95%, non condensing
Physical	Power Supply	AC 100-240V, 50/60Hz DC 12V 1A
	Mainboard Power Consumption	5.92W
	Structure Information	Product Dimensions:140*93*28mm Packaging Dimensions: 203*160*55mm Product Net Weight: 0.33KG Product Gross Weight:0.46KG
	Packing Information	Carton Dimensions:580*335*445mm Packing Quantity: 40PCS Packing Weight: 19.5KG
	Packing List	switch 1pcs, power adapter 1pcs, instruction manual 1pcs, certificate of qualification 1pcs
	Fan Quantity	0
	Installation	desktop

Specifications

Hardware Features & Performance		
Indicator Lights	PWR	On: Powered on Off: Powered off
	1-5port Green Led	On: 2.5G Link normal Off: Link blocked Flashing: Data transmitting
	1-5port Yellow Led	On: 1000Mbps Link normal Off: Link blocked Flashing: Data transmitting
	6 SPF+ port	On: 10G Link normal Off: Link blocked Flashing: Data transmitting

Specifications

Product Pictures



Product Structure Diagram

